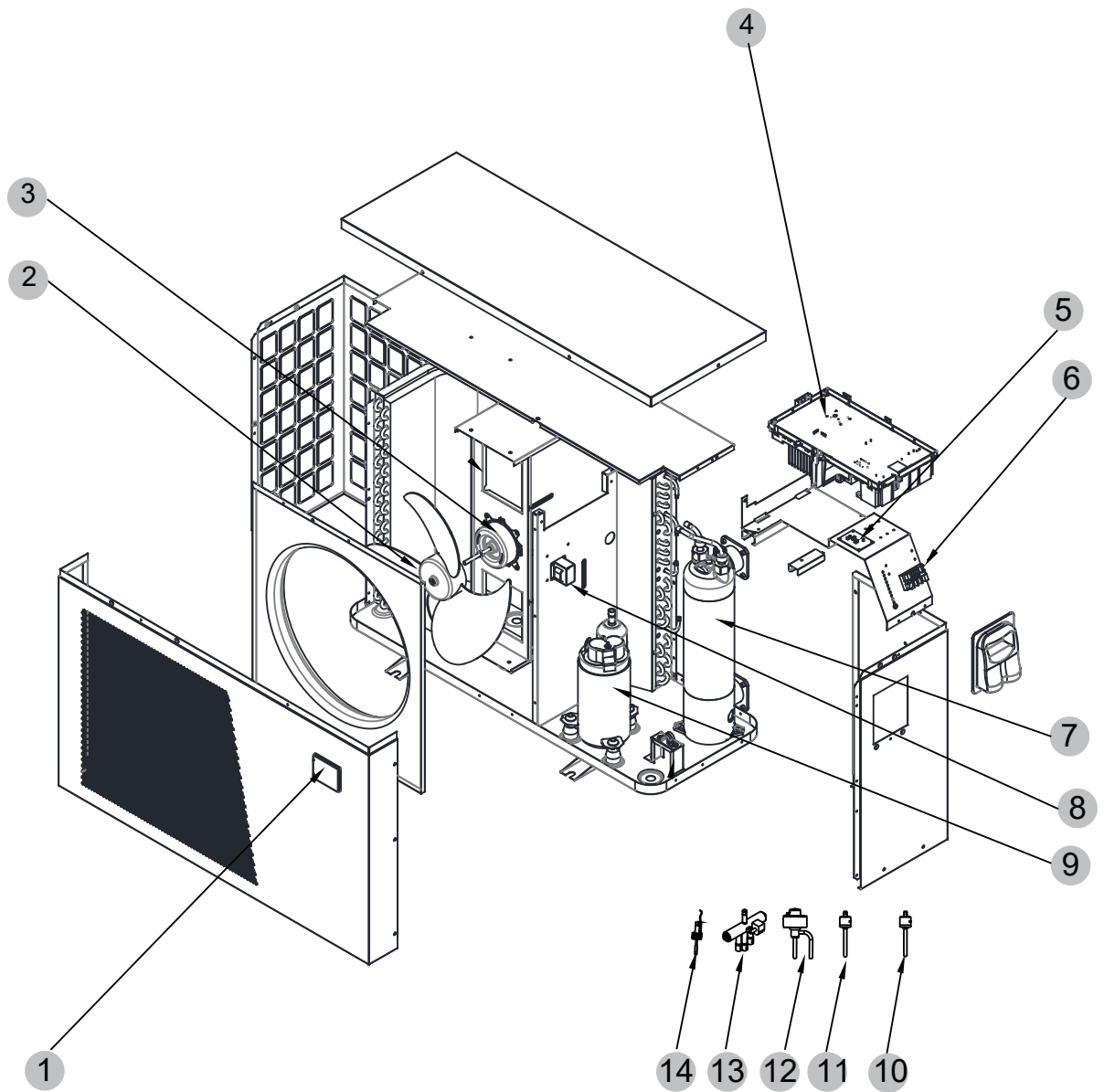


# Sprängskiss / Exploded View

## Q15 Inverter



# Sprängskiss / Exploded View

## Q15 Inverter

| Nr / No | Art.nr. / Part no | Benämning / Name                                  |
|---------|-------------------|---|
| 1       | 7011265           | Komplett LED / Complete LED                       |
| 2       | 7011246           | Fläktvinge / Fan blade                            |
| 3       | 7011115           | Fläktmotor / Fan motor                            |
| 4       | 7011104           | Inverter drive modul / Inverter drive module      |
| 5       | 7011210           | Nätaggreat / Switching power supply               |
| 6       | 7011240           | Elanslutning 3-pol / Electrical connection 3-pole |
| 7       | 7011048           | Värmeväxlare / Heatexchanger                      |
| 8       | 7011208           | Spole / Reactance                                 |
| 9       | 7011107           | Kompressor / Compressor                           |
| 10      | 71031             | Pressostat HP 44bar/32bar / HP switch 44bar/32bar |
| 11      | 7011042           | Pressostat LP 1,5bar/3bar / LP switch 1,5bar/3bar |
| 12      | 7011202           | Expansionsventil EEV / Electronic expansion valve |
| 13      | 71028             | 4-vägs ventil / 4-way valve                       |
| 14      | 7011211           | Flödesvakt / Flow switch                          |