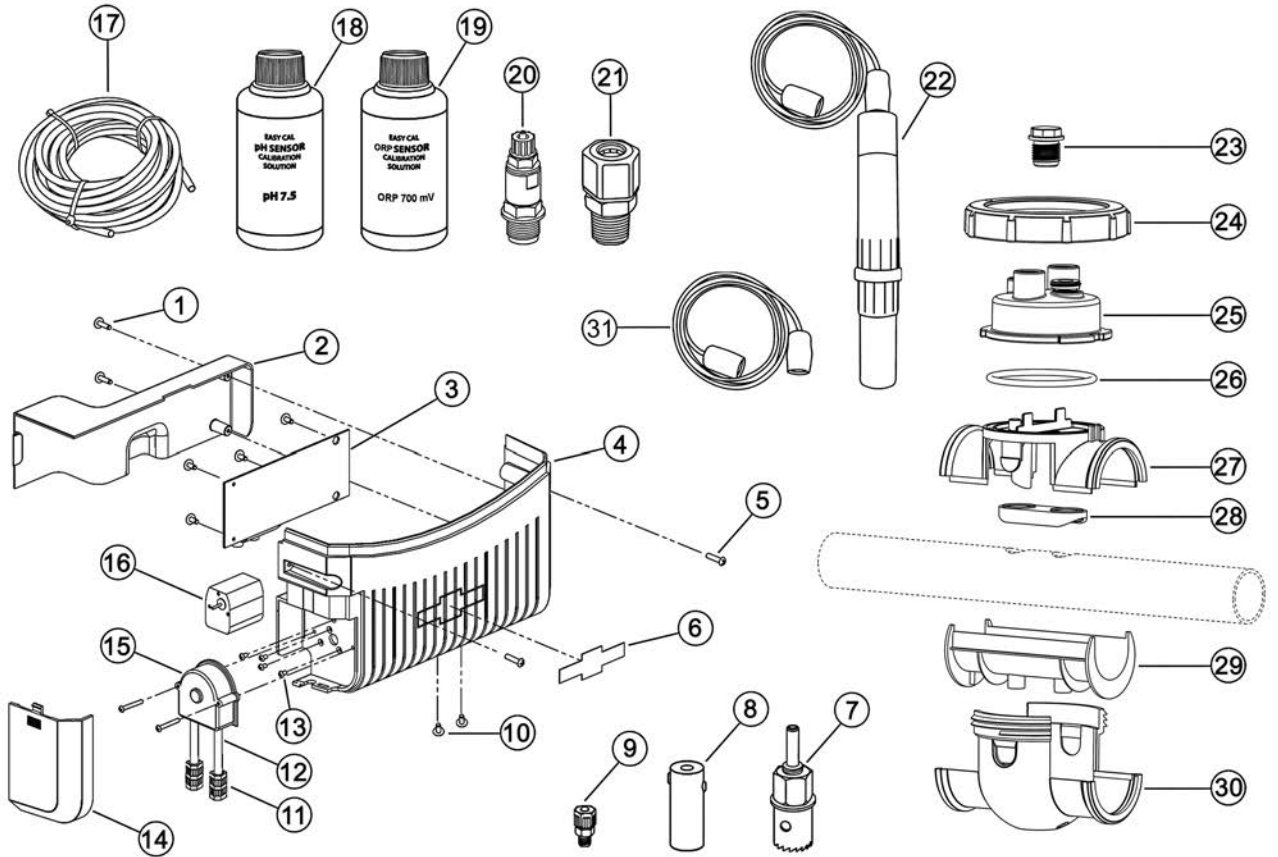




TRi pH, TRi PRO, pH Link and Dual Link



Position	Description	Reference
1	4x¼" fixing screws for electronic board	W001400
2	Module electronic board protection	W043260
3	pH electronic board (TRi pH & pH Link)	W083001
	pH & ACL electronic board (TRi PRO & Dual Link)	W083011
4	TRi module plastic cover (without sticker)	W043250
5	M4x20 mm fixing screws for Module cover	W001421
6	"TRi pH" sticker for module plastic cover	W176751
	"TRi PRO" sticker for module plastic cover	W176761
	"pH Link" sticker for module plastic cover	H0491300
	"Dual Link" sticker for module plastic cover	H0491400
7	Hole saw 22 mm for pipe drilling	W043750
8	Ceramic counter-weight	W045121
9	Ceramic counter-weight retaining nozzle for suction hose	W040451
10	M3x5 mm fixing screws for lower plate	W001461
11	Peristaltic hose connector (per item: 2 per hose)	W043420
12	Peristaltic hose (no connectors)	W501211
13	M3x6 mm fixing screws for peristaltic pump motor	W001451
14	Peristaltic pump protection cover	W043270
15	Peristaltic pump head with hose (no connectors)	W501191
16	Peristaltic pump motor	W501201
17	pH minus injection polyethylene tube 6x4 mm (per metre)	W043450
18	Buffer solution "pH 7.5" (200 mL)	W500730
19	Buffer solution "ORP 700 mV" (200 mL)	W500740
20	Injection check valve - ½ "	W043440
21	Sensor holder 12 mm (sensors < 03/2014)	W043730
22	Z54H1P-5 pH sensor with 1,5 m armoured BNC cable	W500710
	Z54R1P-5 ACL sensor with 1,5 m armoured BNC cable	W500720
23	Threaded plug ½" (+ oring)	W198060
24	POD tightening ring	W043790*
25	POD (+ threaded adapter for flow detector)	W198200
26	Ei electrode O-ring	W151281
27	Saddle clamp top	W043640
28	Flat hose joint 1 ½" (UK)	W043700
	Flat hose joint DN50 mm & DN63 mm (EU)	W043710
29	UK pipe adapter (1 ½")	W043680
	EU pipe adapter (DN50 mm)	W043690
30	Saddle clamp bottom	W043630
31	3 m BNC cable extension for pH & ACL "Z54" sensors	R0635800