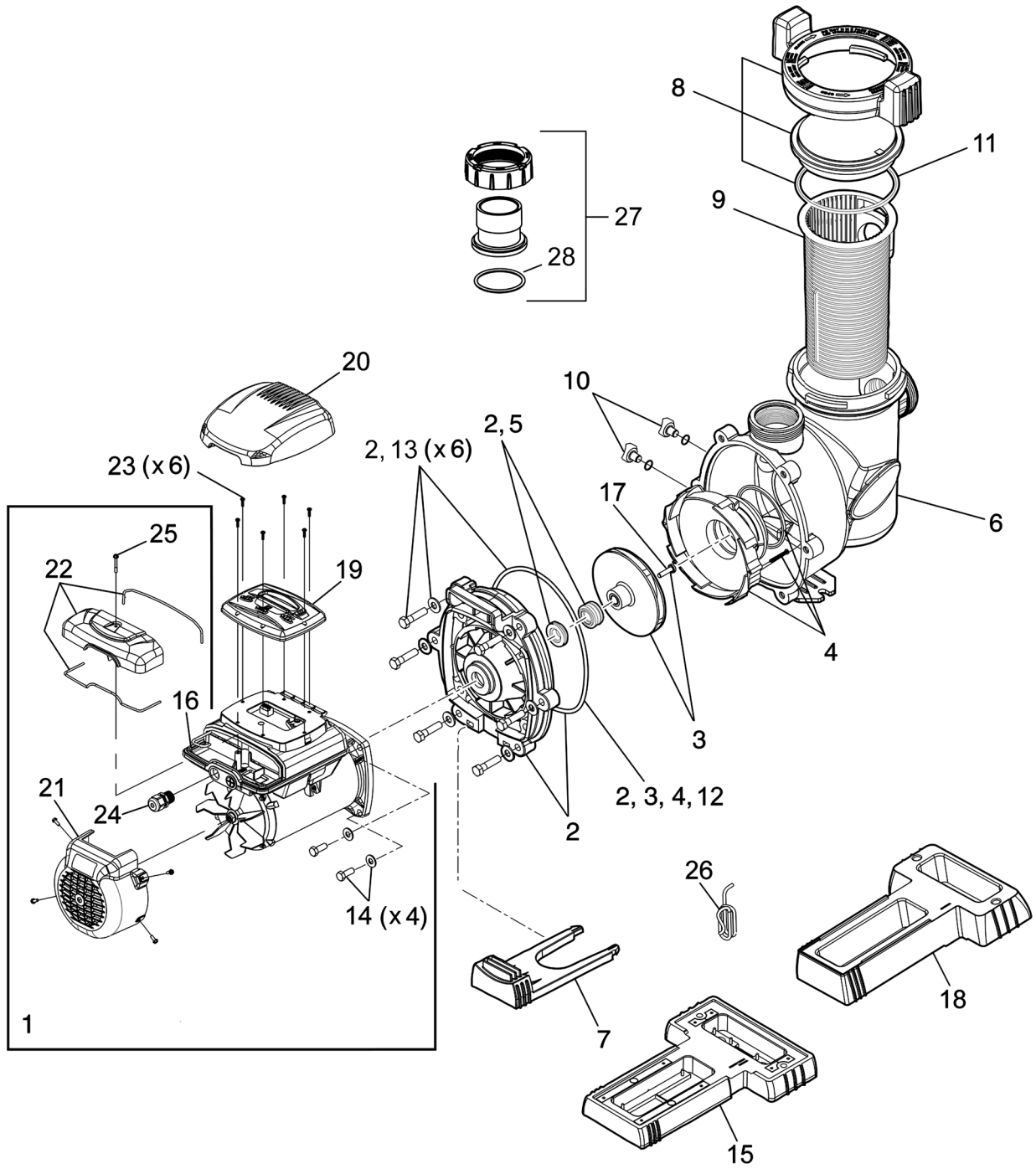




FloPro™ VS

Spare parts



Position	Description	Reference
1	Pump motor, 50Hz FloPro VS THP1,65	R0626500
2	Backplate (Backplate with Hardware, Backplate, Oring & Mechanical Seal)	R0479500
3	FloPro VS impeller (Impeller, Screw with Oring)	R0479603
4	FloPro VS diffuser (Diffuser with Oring, Hardware & Backplate Oring)	R0479701
5	Mechanical Seal, Carbon and Ceramic (1 Set)	R0479400
6	FloPro Pump Body (Body & Backplate Oring)	R0479800
7	Motor Mouting Foot FloPro VS	R0479900
8	Lid with Locking Ring (Lid with Locking Ring & Lid Oring)	R0480000
9	FloPro Filter Basket	R0480100
10	Drain Plug with Oring (set of 2)	R0446000
11	Lid Oring	R0480200
12	Backplate Oring	R0480300
13	Backplate Hardware (Backplate Bolts & Backplate Oring)	R0480500
14	Motor Bolts Kit	R0446700
15	Pump base small	R0486700
16	4-Pin RS485 connector	R0660900
17	FloPro VS impeller screw	R0515400
18	Pump base large	R0546400
19	FloPro VS user interface	WJEP-R
20	FloPro VS user interface cover	R0571501
21	FloPro VS Fan Cover	R0571300
22	Flopro VS electrical connection box cover	R0571400
23	User Interface Screws	R0571600
24	FloPro VS cable gland	R0501101
25	Flopro VS electrical connection box screw	R0587600
26	RS485 cable (per meter)	W4278+
27	DN63/50 mm union tailpiece kit	contact us
28	DN63/50 mm tailpiece Oring	contact us
\	DN50 mm union tailpiece kit (unions + Orings + reducers)	R0327301*

* Available while stock lasts (replaced by DN63/50 mm union tailpiece kit).