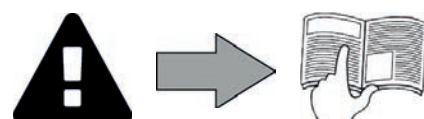
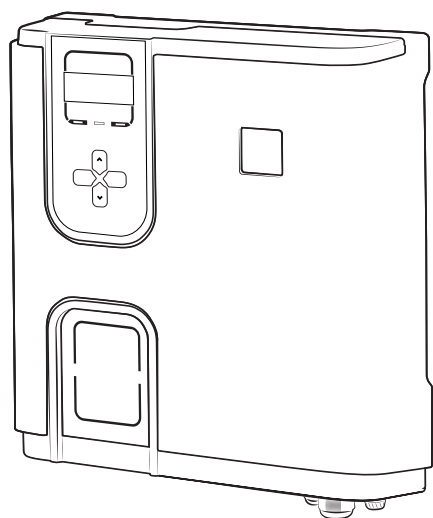


# eXO® / GenSalt OT/ Hydroxinator® iQ/ Clearwater Duo™

**Addendum - Instructions Manual - English**  
External connections  
Translation of the original instructions in french

**EN**





EN: WARNING - This product must be serviced by a qualified professional with sufficient experience in installing and servicing pool equipment to ensure that all instructions given in the product's installation and user manual are followed to the letter. All safety instructions given in the manual must be followed closely to prevent all risk of injury. Any incorrect installation and/or improper use shall void the warranty.



EN: WARNING/DANGER - Turn off all switches and the main circuit breaker of the electric circuit for the pool/spa heater before beginning any part replacement operation. Failure to comply with these instructions may lead to electric shock or cause serious injury or even death. Be careful not to damage or cause wear to the electrical wiring when connecting/disconnecting the wiring in the appliance.



EN: The qualified technician working on the appliance must use/wear personal protective equipment (such as safety goggles and protective gloves, etc.) in order to reduce the risk of injury occurring when working on the appliance.

## 1 General list of the functions to be connected

Terminal block messages	Type	Cable clamp	Functions	eXO® (iQ)	GenSalt OT	With pH Link or Dual Link
SENS	Input	-	Connection for the control board for pH Link and Dual Link modules	/	/	⚠
PUMP	Input	-	Connection for the pH regulation pump for pH Link and Dual Link modules	/	/	⚠
CELL	Output	1	Connection for the electrolytic cell	✓	✓	✓
UI	Output	-	Connection for the display	✓	✓	✓
TEMP	Input	3	Connection for the temperature sensor	✓	/	✓
Flow	Input	2	Connection for the flow switch	✓	✓	✓
iAL RS485	Input	4	<i>Function not used – do not wire</i>	/	/	/
VSP RS485	Output	5	Connection dedicated to controlling the Zodiac® variable-speed filter pump	+	/	+
⊗	/	-	<i>Function not used – do not wire</i>	/	/	/
COVER	Input	7	Connection for the roller shutter/cover for automatically managing the LOW function	+	+	+
SLAVE	Output	8	Connection for an external appliance for the ON/OFF control of chlorinator (automatic regulation, etc.)	+	+	/
AUX 2 12-24V	Output	9	Connection dedicated to the ON/OFF control of a <b>low-voltage</b> device. This connection does not power the device: it manages the ON/OFF function.	+	+	+
AUX 1 230 V	Output	10	Connection dedicated to the ON/OFF control of a <b>high-voltage</b> device. This connection does not power the device: it manages the ON/OFF function.	+	/	+
PUMP 230V	Output	11	Connection dedicated to the power supply to the pool filter pump.	+	+	+
MAINS	Input	12	Mains power supply to the appliance 110-240 VAC - 50/60 Hz	✓	✓	✓



: Connections made during manufacture



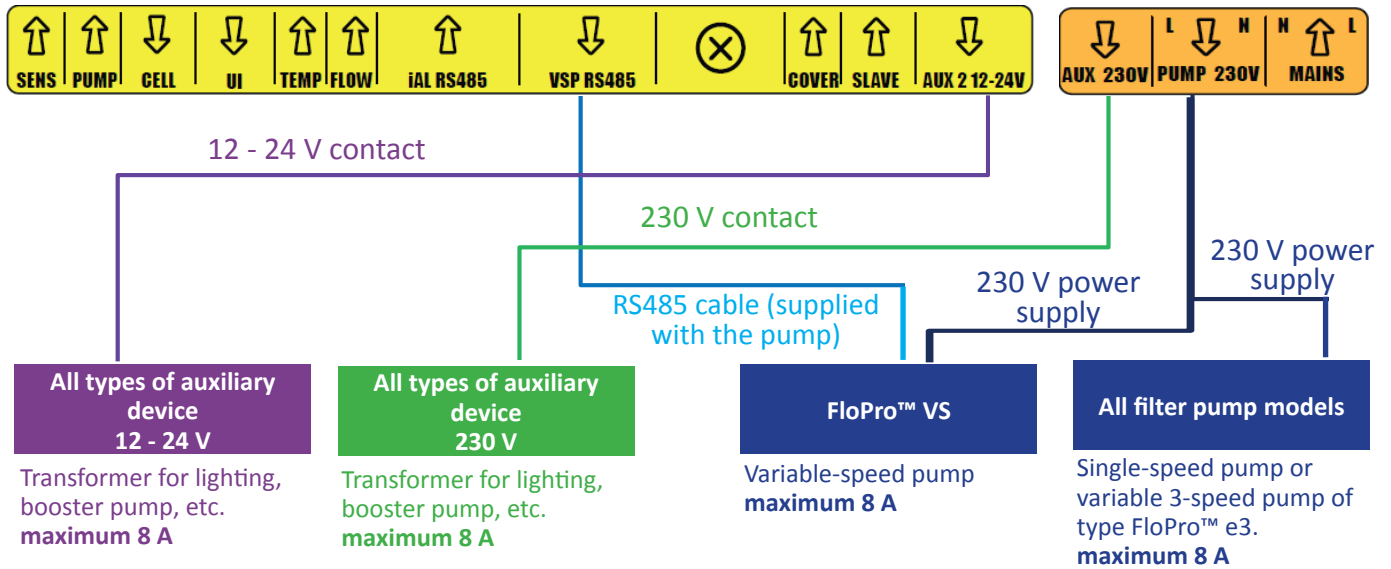
: Mandatory connections to be made



: Function to be connected (optional)

## 2 External connections: what products should be connected?

The chlorinator must be protected by a circuit breaker of the same type as that used for a filter pump (for example a filtration control panel).  
 If the chlorinator is powered by a filtration control panel, the timers must be manually set to 24/7 mode. The electrolyser manages all timers and must receive a continuous power supply.



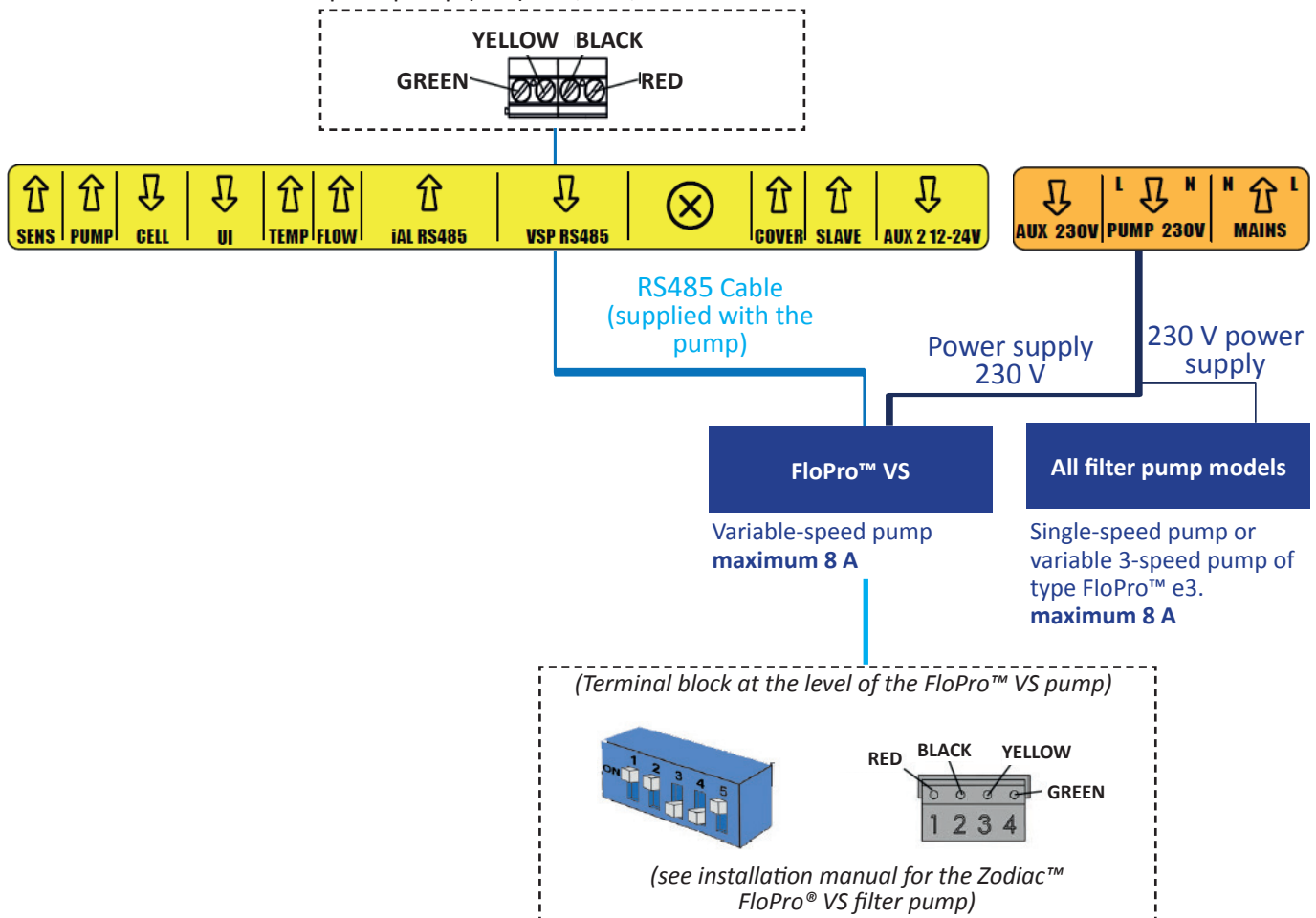
EN

## 3 Connecting a filter pump (depending on the model)

The chlorinator can power and control the filter pump.  
 In such a case, the chlorinator must be powered via an electrical protection that is calibrated for a filter pump.

### Possible controls:

- For a single-speed pump (SSP): ON/OFF with 2 timers,
- For a FloPro™ VS variable-speed pump (VSP): ON/OFF/RPM with 4 timers.

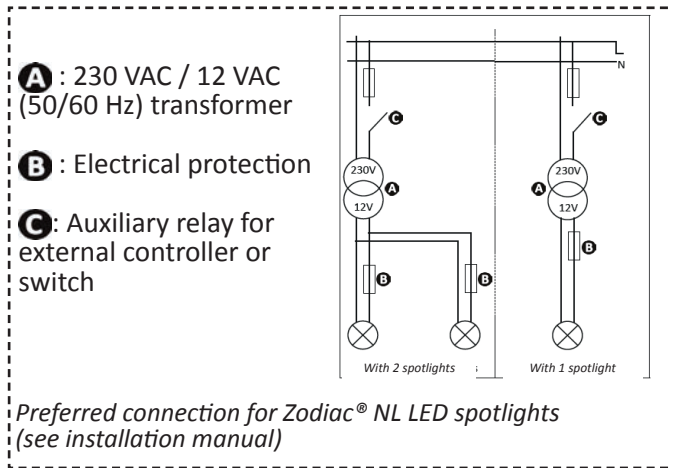
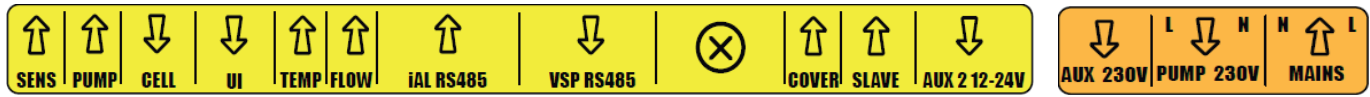


#### 4 Connecting to an auxiliary device = AUX1 - Dry contact provided for disconnection from the 230V power supply (depending on the model)

The chlorinator manages a dry contact calibrated for disconnection from the 230V power supply. The power supply is separated with its own protection (circuit breaker calibrated to suit the equipment controlled or its transformer – max. 8 A).

Preferred connection for NL LED spotlights.

**Possible controls:** ON/OFF with timer for all monochromatic spotlights, ON/OFF/Colour with NL RGBW LED spotlights



230 V contact

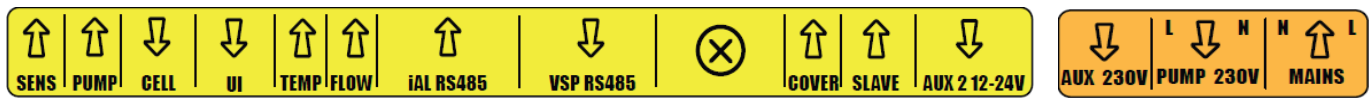
All types of auxiliary device 230 V

Transformer for lighting, booster pump, etc. maximum 8 A

#### 5 Connection to an auxiliary device = AUX2 - 12- 24V

The eXO® iQ manages a dry contact calibrated for the 12 -24V power supply. The power supply is separated with its own protection (circuit breaker calibrated to suit the equipment controlled or its transformer – max. 8 A). Use a relay (not provided) to be able to control a 230 V device.

**Possible controls:** ON/OFF



12 - 24 V contact

All types of auxiliary device 12 - 24 V

Transformer for lighting, booster pump, etc. maximum 8 A



[www.zodiac.com](http://www.zodiac.com)

