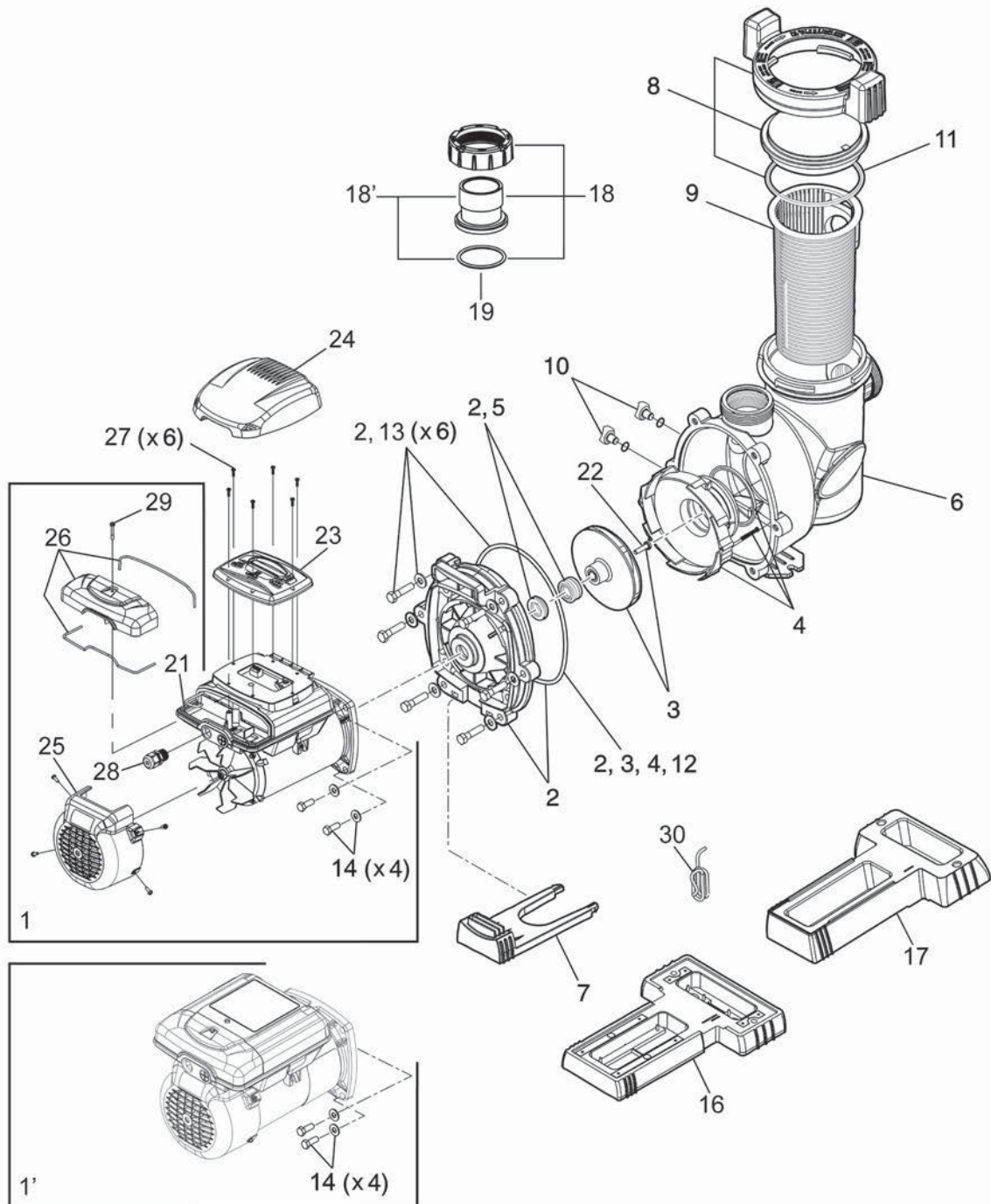




# FloPro™ VS / FloPro™ VS AUT

Spare Parts



Position	Description	Reference
1	Pump motor, 50Hz FloPro VS 160	R0626500
1'	Pump motor, 50Hz FloPro VS AUT 160	R0773200
2	Backplate kit FHPVS (with hardware, Oring & mechanical seal)	R0479502
3	Impeller FloPro VS (with screw & Oring)	R0479603
4	Diffuser FloPro VS (with Oring, Hardware & Backplate Oring)	R0479701
5	Mechanical seal FloPro VS (set)	R0479400
6	Pump body FHP	R0479801
7	Motor mounting foot	R0479902
8	Lid FHP (with locking ring & Oring)	R0480001
9	Filter basket FHP	R0480101
10	Drain plug with Oring (set of 2)	R0446001
11	Lid Oring	R0480201
12	Backplate Oring FHP	R0480301
13	Backplate Hardware (bolts, washers & backplate Oring)	R0480501
14	Motor bolts & washers	R0446702
16	Small pump base	R0486701
17	Large pump base	R0546401
18	63/50mm union tailpiece kit (x2)	R0728700
18'	2" UK union tailpiece kit (x2)	R0792700
19	Tailpiece Oring kit (x2)	R0728800
21	4-Pin RS485 connector	R0660900
22	Impeller screw (with Oring)	R0515400
23	JEP-R user interface	WJEP-R
24	User interface cover FloPro VS	R0571501
25	Fan cover FloPro VS	R0571300
26	Electrical connection box cover FloPro VS	R0571400
27	User interface screws	R0571600
28	Cable gland 6-12 mm x 1/2"	R0501101
29	Electrical connection box screw	R0587600
30	RS485 cable (per meter)	W4278+
\	Wall mount kit for JEP-R user interface	R0808800