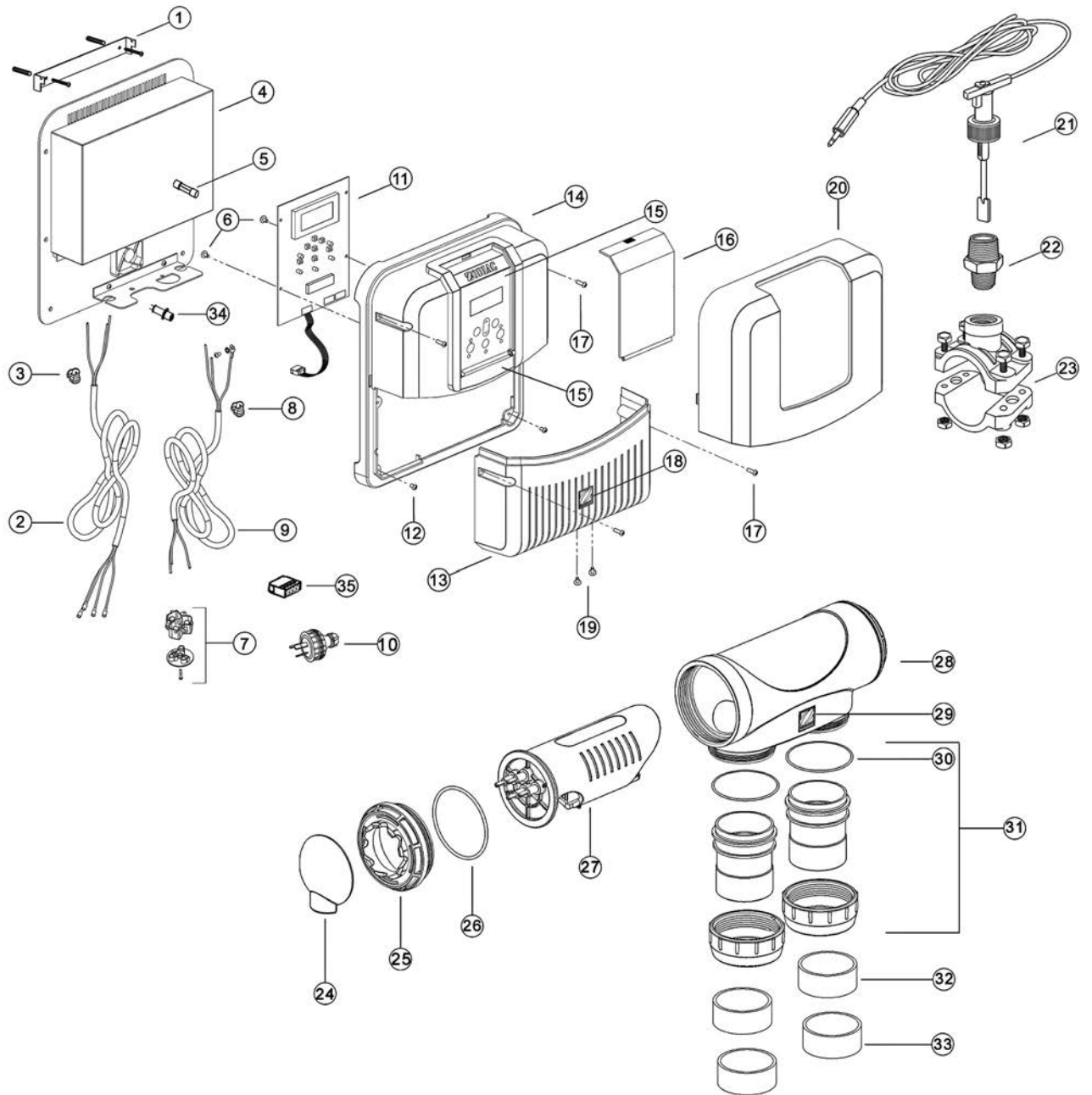




Hydroxinator



Position	Description	Reference
1	Wall mount kit w/ screws	W012575
2	Complete cell mains supply cable	W195591
3	Cable grip for cell power supply	W001401
4	Power supply set (aluminium chasis + card + ventilator)	W082981
5	M205 2.5 A T Fuse	W110201
6	4x1/4" fixing screws for electronic board	W001400
7	"AUS" female type plug	W120381
8	Cable grip for mains power supply	W000021
9	Mains supply cable	W052510
10	Male 3 pin plug "AUS" type	W120131
11	HYDROXINATOR CONTROL PCB	R0615400
12	M4x6 mm lower fixing screw for main cover	W000201
13	Lower cover	W043240
14	Main cover for power pack	W043210
15	Hydroxinator control panel sticker	H0434100
15'	"MagnaPool" label	H0433900
16	Transparent plexi protection cover for control panel	W043220
17	M4x20 mm fixing screws for covers (box and lower cover)	W001421
18	Zodiac sticker for lower cover	W176801
19	M3x5 mm fixing screws for lower plate	W001461
20	Hydroxinator blue housing cover	A0256100
21	Complete flow switch (+ cable and jack 3.5 mm)	W197172
22	3/4"x1/2" adapter for flow switch	W043560
23	Complete DN50 mm saddle clamp (adaptable to 1 1/2 " UK)	W013010
	Complete DN63 mm saddle clamp (adaptable to 2 " UK)	W013011
24	Hydroxinator cell protective cap blue	A0256200
25	Electrode tightening ring	W043290
26	Electrode O-ring	W150031
27	Complete Hydroxinator 10 electrode	R0635200
	Complete Hydroxinator 18 electrode	R0635201
	Complete Hydroxinator 22 electrode	R0635202
	Complete Hydroxinator 35 electrode	R0635203
28	Empty Hydroxinator cell body	W043280
29	Zodiac sticker for cell (3 per cell)	W176791
30	Barrel union Oring	W151271
31	Barrel union set for TRi DN63 mm / 2"	W197780
32	PVC DN50 mm adapter to glue	W041321
33	PVC 1 1/2 " adapter to glue (UK)	W041101
34	3.5 mm female plug jack	W121953
35	4-way cable connector	W121961